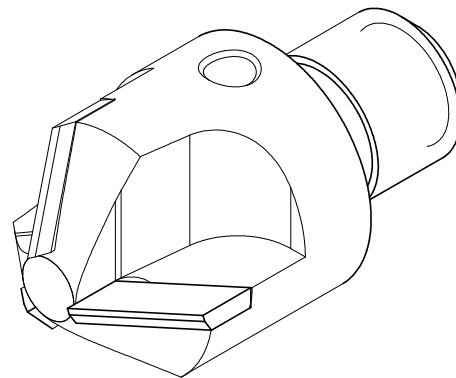

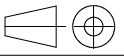


PCD 3fl Countersink Interchangeable Pilot (Inch)

Body Diameter (+/- .03)	Pilot Hole (+.001)	CSK Angle (+/- 0.5)	Thread shank	cat# 100°	cat# 130°
3/8	0.125	100/130	1/4"-28	CRP2404125	CRP2604125
1/2	0.125	100/130	1/4"-28	CRP2406125	CRP2606125
5/8	0.125	100/130	1/4"-28	CRP2408188	CRP2608188
3/4	0.188	100/130	3/8"-24	CRP2410188	CRP2610188
7/8	0.188	100/130	3/8"-24	CRP2412188	CRP2612188
1	0.188	100/130	7/16"-20	CRP2414188	CRP2614188
1.1/4	0.188	100/130	7/16"-20	CRP2416188	CRP2616188



PCD C'sink Interchangeable Pilot	TELCON 	
Materials:	SCALE: NTS	This drawing is The property of TELCON DIAMOND And may only be Copied or passed To a third party With our permission.
Steel ; PCD		
CAT. NO.	Unless specified Tolerances are in Accordance with: DIN ISO 2768-m	
By Table		