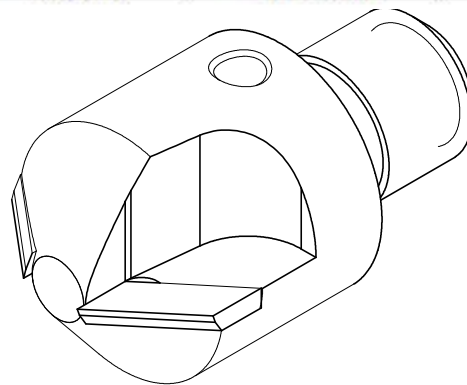

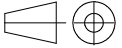


Carbide Tipped 2fl Countersink Interchangeable Pilot (Inch)

Body Diameter (+/- .03)	Pilot Hole (+.001)	CSK Angle (+/- 0.5)	Thread shank	cat# 100°	cat# 130°
3/8	0.125	100/130	1/4"-28	CRPC1204125	CRPC1604125
1/2	0.125	100/130	1/4"-28	CRPC1206125	CRPC1606125
5/8	0.125	100/130	1/4"-28	CRPC1208188	CRPC1608188
3/4	0.188	100/130	3/8"-24	CRPC1210188	CRPC1610188
7/8	0.188	100/130	3/8"-24	CRPC1212188	CRPC1612188
1	0.188	100/130	7/16"-20	CRPC1214188	CRPC1614188
1.1/4	0.188	100/130	7/16"-20	CRPC1216188	CRPC1616188



C.T C'sink Interchangeable Pilot		
Materials:	SCALE: NTS	<p>This drawing is The property of TELCON DIAMOND And may only be Copied or passed To a third party With our permission.</p>
Steel ; Carbide		
CAT. NO.	Unless specified Tolerances are in Accordance with: DIN ISO 2768-m	
By Table		