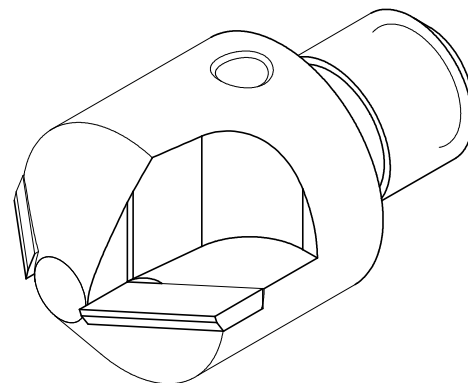

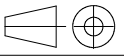


PCD 2fl Countersink Interchangeable Pilot (Inch)					
Body Diameter (+/- .03)	Pilot Hole (+.001)	CSK Angle (+/- 0.5)	Thread shank	cat# 100°	cat# 130°
3/8	0.125	100/130	1/4"-28	CRP1204125	CRP1604125
1/2	0.125	100/130	1/4"-28	CRP1206125	CRP1606125
5/8	0.125	100/130	1/4"-28	CRP1208188	CRP1608188
3/4	0.188	100/130	3/8"-24	CRP1210188	CRP1610188
7/8	0.188	100/130	3/8"-24	CRP1212188	CRP1612188
1	0.188	100/130	7/16"-20	CRP1214188	CRP1614188
1.1/4	0.188	100/130	7/16"-20	CRP1216188	CRP1616188



PCD C'sink Interchangeable Pilot		TELCON 	
Materials:	Steel ; PCD	SCALE: NTS	This drawing is The property of TELCON DIAMOND And may only be Copied or passed To a third party With our permission.
CAT. NO.	By Table		
		Unless specified Tolerances are in Accordance with: DIN ISO 2768-m	