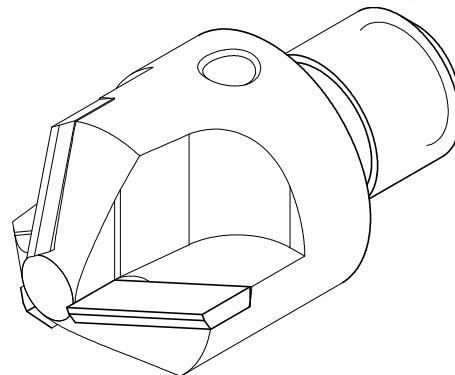


PCD 3fl Countersink Interchangeable Pilot (mm)

Body Diameter (+/-0.76)	Pilot Hole (+0.025)	CSK Angle (+/- 0.5)	Thread shank	cat# 100°	cat# 130°
10	2.50	100/130	M6x1.0	CRP2510250	CRP2710250
12	3.00	100/130	M6x1.0	CRP2512300	CRP2712300
14	3.00	100/130	M8x1.0	CRP2514300	CRP2714300
17	3.00	100/130	M8x1.0	CRP2517300	CRP2717300
19	4.00	100/130	M8x1.0	CRP2519400	CRP2719400
21	4.00	100/130	M8x1.0	CRP2521400	CRP2721400



PCD C'sink Interchangeable Pilot		
Materials:	SCALE: NTS	This drawing is The property of TELCON DIAMOND And may only be Copied or passed To a third party With our permission.
Steel ; PCD		
CAT. NO.	Unless specified Tolerances are in Accordance with: DIN ISO 2768-m	
By Table		